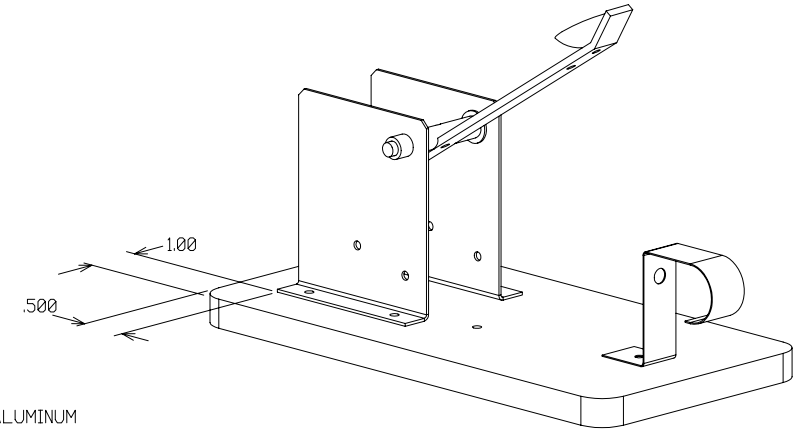
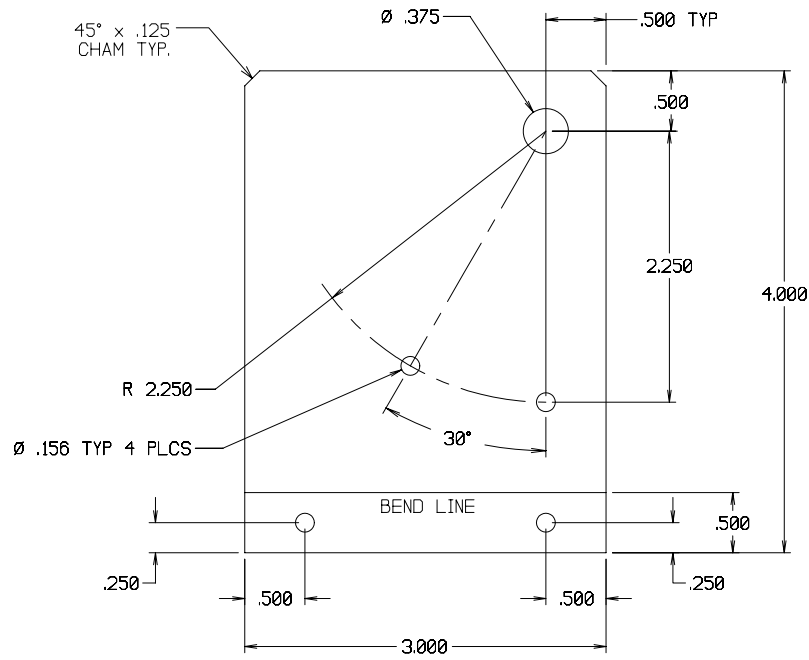


TOTAL 2 EA:  
1 RIGHT SIDE  
1 LEFT SIDE

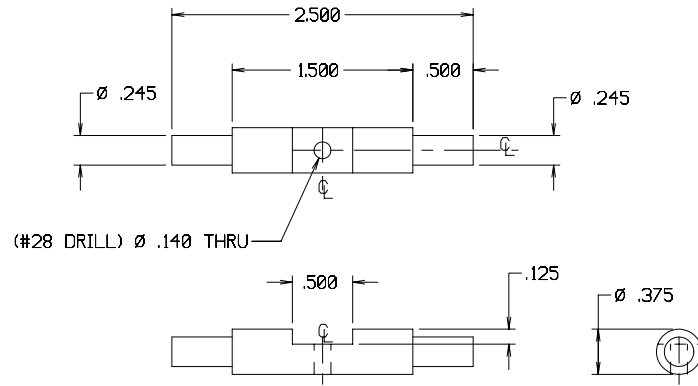
### SIDE PLATES

MATERIAL : .050 THICK ALUMINUM



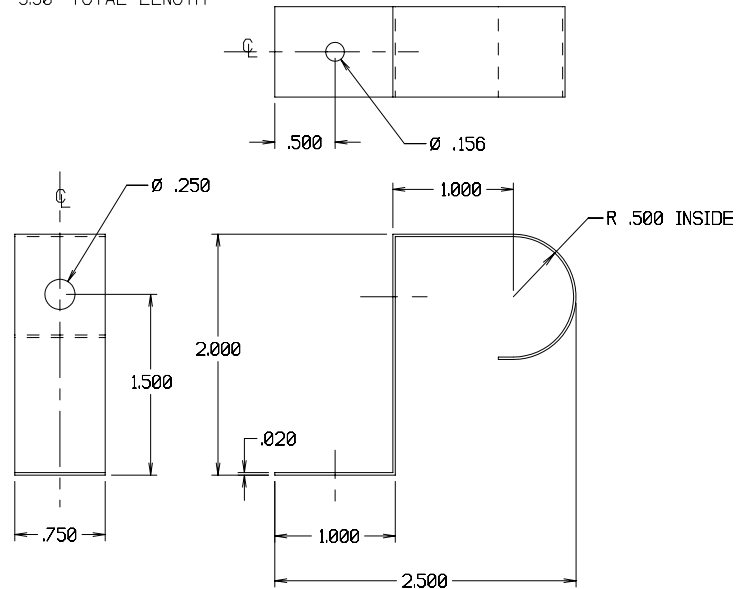
### AXLE

MATERIAL :  $\varnothing 3/8$  ALUMINUM



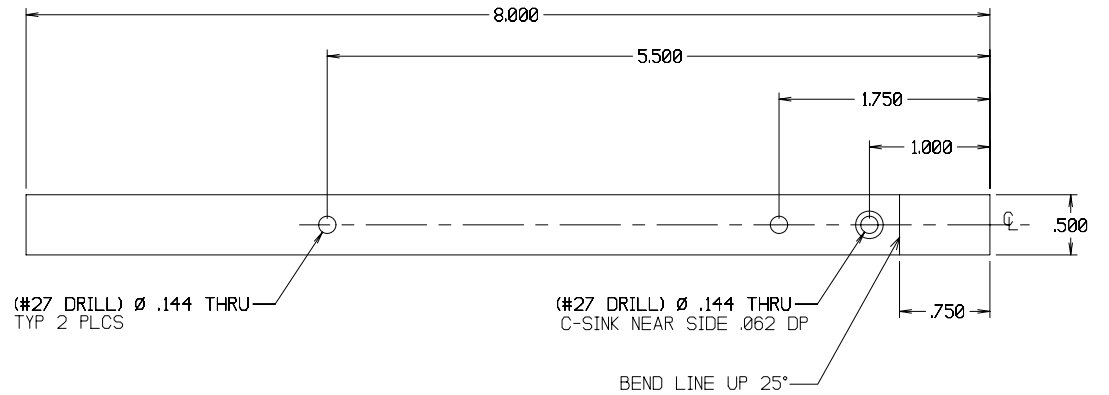
### TRIGGER

MATERIAL :  
STRAPPING .75" WIDE x .020 THICK  
5.50" TOTAL LENGTH



### ARM

MATERIAL : 3/16 x 1/2 ALUMINUM



CACT  
TECH - EXPLORER  
CATAPULT